

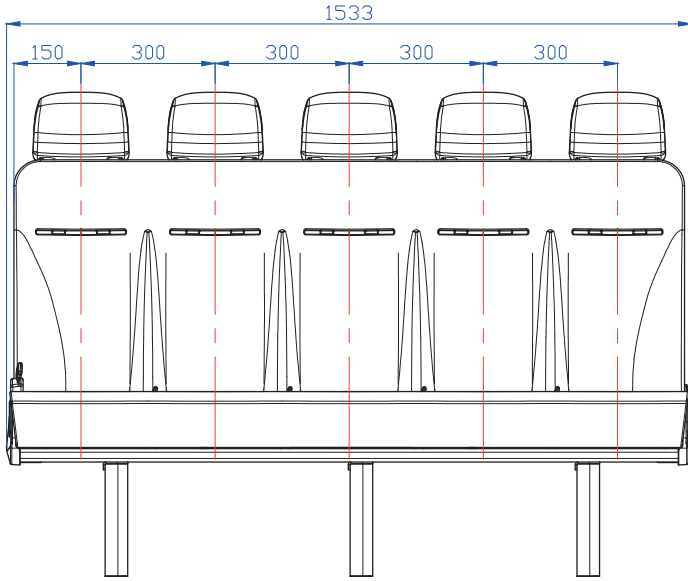
**SEGE**  
**SCHOOL LINE**  
**1050**  
**M2 / M3**



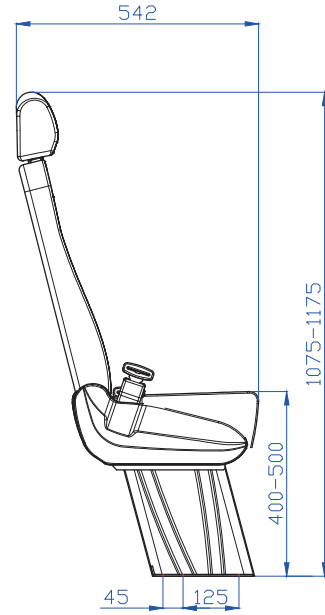
**WE**  
**MANUFACTURE**  
**COMFORT**  
**&**  
**SAFETY**



## TECHNICAL DRAWING (FRONT VIEW)

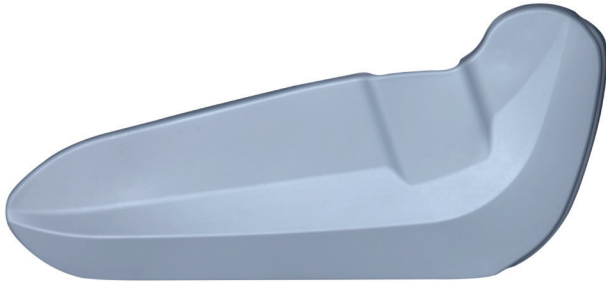


## TECHNICAL DRAWING (SIDE VIEW)



## OPTIONS

### V35 Flat Side Cover



### V36 Flat Side Cover



ÖZELLİKLER	FEATURES	CARACTERÍSTICAS	DIE OPTION
Sabit Arkalık	Fixed Backrest	Respaldo Fijo	Fix Rücklehne
Oynar Başlık	Adjustable Headrest	Reposacabezas Ajustable	Verstellbare Kopfstütze
2N Kemer	2P Seat Belt	2P Cinturón	2P Sicherheitgurt
Yan Kapak	Side Cover	Tapa Lateral	Seite Abdeckung

SEGE: 2022 - 01 - Basım Tarihi Mart 2022 - Basım Yeri: Ege Tıbbi